

## A Revolutionary SIP Phone for Enhancing Productivity

The SIP-T46S IP phone is the ultimate communications tool for busy executives and professionals. In addition to offering better overall performance than the T46G, this device has a faster interface with a rich, high-resolution TFT color display. Built with Yealink Optima HD technology and wideband codec of Opus, this device enables crystal clear communications. The SIP-T46S is also built with Gigabit Ethernet technology, for rapid call handling and use with accessories like a Bluetooth USB Dongle and a Wi-Fi USB Dongle. The new T4S series offers the same elegant appearance of the T4 line, but with improvements for greater interoperability and collaboration.



Optima  
HD Voice



Opus Codec



Unified  
Firmware



USB 2.0



HAC



Gigabit



Paperless

### Key Features and Benefits

#### HD Audio

Yealink Optima HD Voice technology combines cutting-edge hardware and software with wideband technology for maximum acoustic performance. Being a totally open, highly versatile audio codec, Opus, is designed to perform a higher HD audio quality than other wideband codecs in a high network bandwidth; However, if your current network quality is poor, Opus can provide you with a better audio quality than other narrowband codecs. And its hearing aid compatible (HAC) handset helps the person who is with hearing loss to hear the voice more clearly.

#### Easy Customizable and High Expandability

The SIP-T46S comes with two Gigabit Ethernet ports, one of which is suitable for Power over Ethernet (PoE). A built-in USB 2.0 port can also be used for Bluetooth, Wi-Fi and USB recording. The SIP-T46S supports up to six expansion models, for up to 240 additional buttons with a screen-based LCD display and LED system. Plus, it has three pages of buttons which can be programmed with up to 27 paperless DSS keys.

#### Efficient Installation and Provisioning

The Yealink T4S series supports efficient provisioning and effortless mass deployment with Yealink's Redirection and Provisioning Service (RPS) and Boot mechanism to help you realize the Zero Touch Provisioning without any complex manual settings, which makes the T4S series simple to deploy, easy to maintain and upgrade. Furthermore, a unified firmware and auto-p template that applies to all T4S phone models (T41S, T42S, T46S and T48S), saves even more time and costs for businesses, as well as simplifies the management and maintenance.

#### Secure Transport and Interoperability

The SIP-T46S uses SIP over Transport Layer Security (TLS/SSL), which is the latest network security technology. It's also compatible with leading soft switch suppliers 3CX and Broadsoft Broadworks.

- 4.3" 480 x 272-pixel display with backlight
- Opus\* codec support
- USB 2.0
- T4S Auto-P template unified
- T4S firmware unified
- Up to 16 SIP accounts
- Dual-port Gigabit Ethernet
- PoE support
- Paperless label design
- Headset, EHS support
- Wi-Fi via WF40
- Bluetooth via BT40
- USB recording
- Supports expansion modules
- Stand with 2 adjustable angels

## Audio Features

- > HD voice: HD handset, HD speaker
- > Hearing aid compatible (HAC) handset
- > Codecs: AMR-WB (optional), AMR-NB (optional), Opus\*, G.722, G.711(A/μ), G.723.1, G.729AB, G.726, iLBC
- > DTMF: In-band, Out-of-band (RFC 2833) and SIP INFO
- > Full-duplex hands-free speakerphone with AEC
- > VAD, CNG, AEC, PLC, AJB, AGC

## Phone Features

- > 16 VoIP accounts
- > Call hold, mute, DND
- > One-touch speed dial, hotline
- > Call forward, call waiting, call transfer
- > Group listening, SMS, emergency call
- > Redial, call return, auto answer
- > 3-way conferencing
- > Direct IP call without SIP proxy
- > Ring tone selection/import/delete
- > Set date time manually or automatically
- > Dial plan, XML Browser, Action URL/URI
- > RTCP-XR (RFC3611), VQ-RTCPXR (RFC6035)
- > USB port (2.0 compliant) for:
  - Bluetooth earphone through BT40,
  - Contact synchronization through BT40,
  - Wi-Fi through WF40,
  - USB call recording through USB flash drive
- > Enhanced DSS key

## Directory

- > Local phonebook up to 1000 entries
- > Black list
- > XML/LDAP remote phonebook
- > Smart dialing
- > Phonebook search/import/export
- > Call history: dialed/received/missed/forwarded

## IP-PBX Features

- > Busy Lamp Field (BLF)
- > Bridged Line Appearance (BLA)
- > Anonymous call, anonymous call rejection
- > Hot-desking, voice mail, flexible seating
- > Call park, call pickup
- > Executive and Assistant
- > Centralized call recording
- > Visual voice mail
- > Call recording

## Display and Indicator

- > 4.3" 480 x 272-pixel color display with backlight
- > 16 bit depth color
- > LED for call and message waiting indication
- > Dual-color (red or green) illuminated LEDs for line status information
- > Wallpaper
- > Intuitive user interface with icons and soft keys
- > Multilingual user interface
- > Caller ID with name and number
- > Screensaver
- > Power saving

## Feature keys

- > 10 line keys with LED
- > 10 line keys can be programmed up to 27 paperless DSS keys (3-page view)
- > 7 features keys: message, headset, hold, mute, transfer, redial, hands-free speakerphone
- > 4 context-sensitive "soft" keys
- > 6 navigation keys
- > Volume control keys
- > Illuminated mute key
- > Illuminated headset key
- > Illuminated hands-free speakerphone key

## Interface

- > Dual-port Gigabit Ethernet
- > Power over Ethernet (IEEE 802.3af), class 3
- > 1 x USB port (2.0 compliant)
- > 1 x RJ9 (4P4C) handset port
- > 1 x RJ9 (4P4C) headset port
- > 1 x RJ12 (6P6C) EXT port: Supports up to 6 Expansion Modules for an attendant console application

## Other Physical Features

- > Color: Classic Grey
- > Stand with 2 adjustable angles
- > Wall mountable
- > External Yealink AC adapter (optional): AC 100~240V input and DC 5V/2A output
- > Power consumption (PSU): 1.9-4.0W
- > Power consumption (PoE): 2.7-5.5W
- > Dimension (W\*D\*H\*T): 244mm\*213mm\*185mm\*54mm
- > Operating humidity: 10~95%
- > Operating temperature: -10~50°C (+14~122°F)

## Management

- > Configuration: browser/phone/auto-provision

- > Auto provision via FTP/TFTP/HTTP/HTTPS for mass deploy
- > Auto-provision with PnP
- > Broadsoft device management
- > Zero-sp-touch, TR-069
- > Phone lock for personal privacy protection
- > Reset to factory, reboot
- > Package tracing export, system log

## Network and Security

- > SIP v1 (RFC2543), v2 (RFC3261)
- > Call server redundancy supported
- > NAT traversal: STUN mode
- > Proxy mode and peer-to-peer SIP link mode
- > IP assignment: static/DHCP/PPPoE
- > HTTP/HTTPS web server
- > Time and date synchronization using SNTP
- > UDP/TCP/DNS-SRV(RFC 3263)
- > QoS: 802.1p/Q tagging (VLAN), Layer 3 ToS DSCP
- > SRTP for voice
- > Transport Layer Security (TLS)
- > HTTPS certificate manager
- > AES encryption for configuration file
- > Digest authentication
- > OpenVPN, IEEE802.1X
- > IPv6, LLDP/CDP/DHCP VLAN, ICE

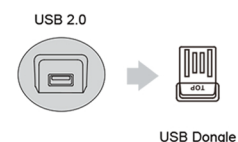
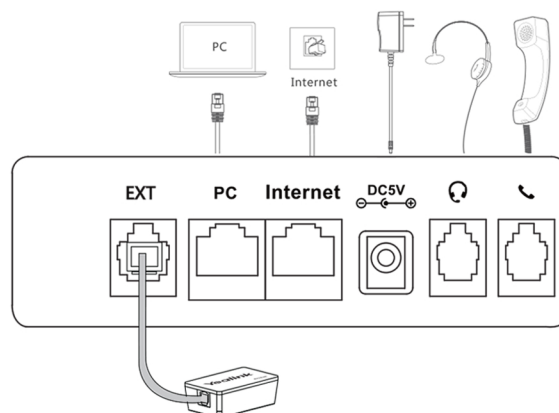
## Package Features

- > Package content:
  - Yealink SIP-T46S IP phone
  - Handset with handset cord
  - Ethernet Cable (2m CAT5E FTP Cable)
  - Stand
  - Quick Start Guide
  - Power Adapter (Optional)
  - Wall Mount Bracket (Optional)
- > Qty/CTN: 5 PCS
- > N.W/CTN: 7.6 kg
- > G.W/CTN: 8.4 kg
- > Giftbox size: 274mm\*255mm\*128mm
- > Carton Meas: 660mm\*286mm\*263mm

## Compliance



\* Opus: Support 8 kHz (narrowband) and 16 kHz (wideband) sampling rate



[Learn More](#)

To find out how Partners Consulting Group can help your organization, email us at [chad@partnerscg.com](mailto:chad@partnerscg.com)